

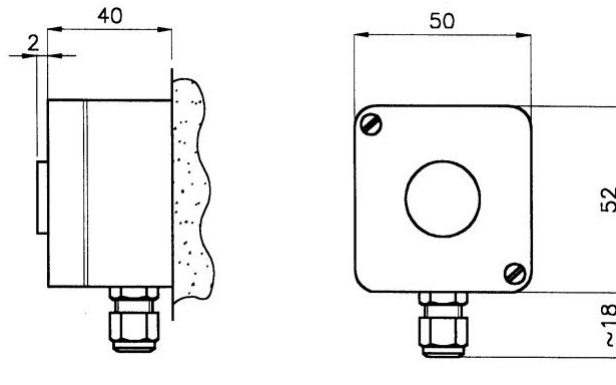


Box type RTD sensor



DSE type

Technic view



| | |
|--------------------------|---|
| Temperature range | -20°C to +70°C |
| Sensing element | PT100 / PT500 / PT1000 1x2 or 1x3 wires |
| Accuracy | Class A, B, 1/3DIN, 1/5DIN, 1/10DIN |
| Standard | EN 60751 |
| Dimensions | Box Dimension : 52 x 50 x42mm. Other on demande |
| Matériau | Plastic boxes |
| Connection | Cable possible |