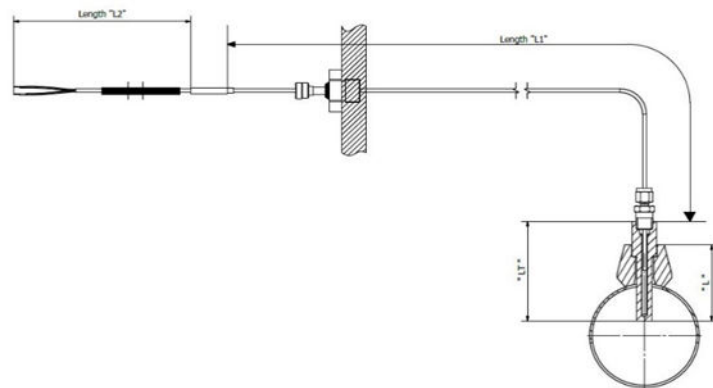


Cable type RTD sensor with mineral insulation



PSMSC BT type

Technic view



Température range	-253°C to -50°C
Sensing element	PT100 Single RTD : 1x4 wires. Other on demand
Accuracy	Class A,
Standard	EN 60751
Dimensions	Tube Diameter : 3mm. Other on demand Tube Length (L "pyrosonde") : On demand
Extension length (L cable)	4 fils. Section on demand
Matériau	Tube : 304L, 316L Extension material : Wire with Teflon, other on demand
Mechanical interface	Sliding fitting Welded fitting Adjustable flange
Application/Features	ATEX / Hydrogen atmosphere