

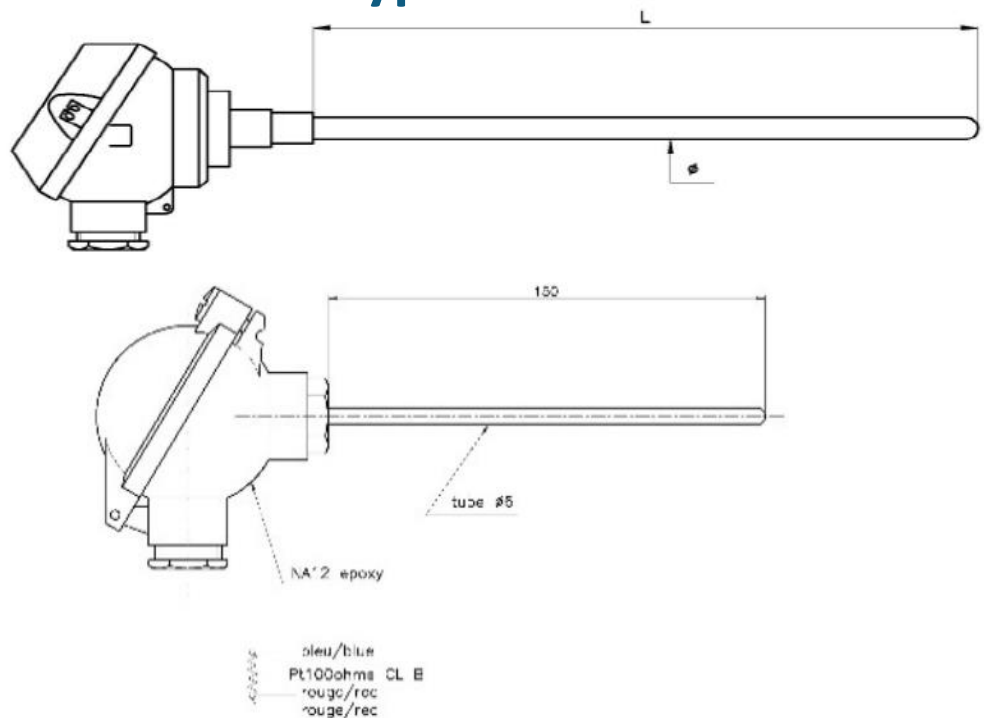


## Head type RTD sensor



### CSOT type

Technic view



<b>Temperature range</b>	-50°C to +250°C (RS5477607) or -50°C to +1000°C (PF015347)
<b>Sensing element</b>	PT100 / PT500 / PT1000 (simple or double)
<b>Accuracy</b>	Class A, B, 1/3DIN, 1/5DIN, 1/10DIN
<b>Standard</b>	EN 60751
<b>Dimensions</b>	Tube Diameter : 3 to 13,5 mm Tube Length (L) : 100 to 2000 mm
<b>Matériau</b>	Tube : 304L, 316L Head : Aluminium or Polypropylène
<b>Connection</b>	Terminal block Transmitter
<b>Mechanical interface</b>	Flange Fitting