

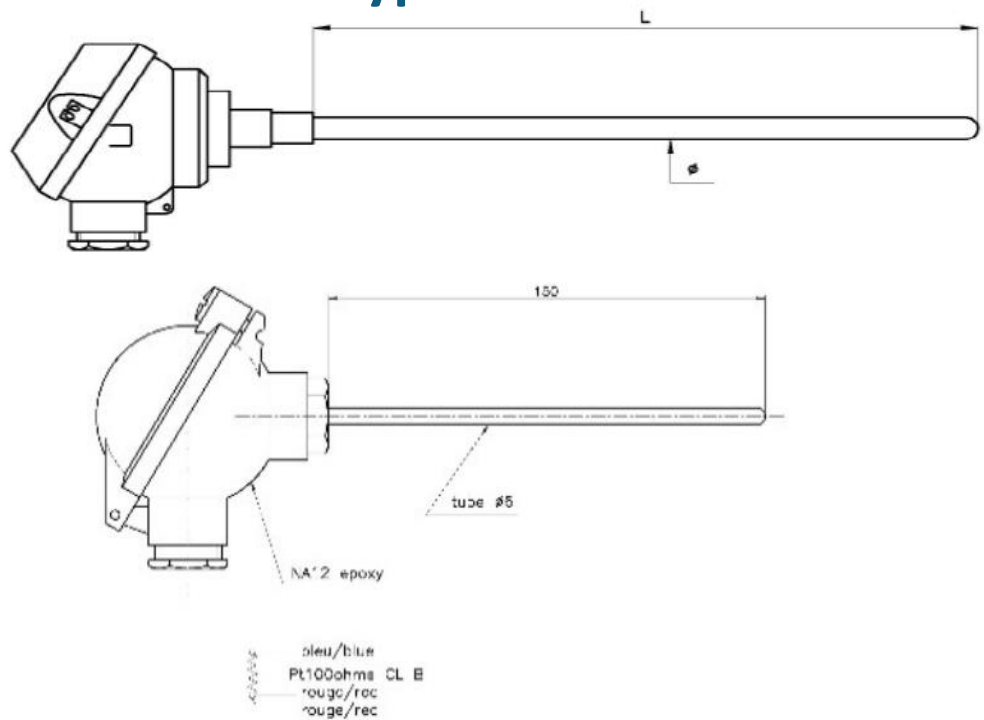


Head type RTD sensor



CSOT type

Technic view



Temperature range	-50°C to +250°C (RS5477607) or -50°C to +1000°C (PF015347)
Sensing element	PT100 / PT500 / PT1000 (simple or double)
Accuracy	Class A, B, 1/3DIN, 1/5DIN, 1/10DIN
Standard	EN 60751
Dimensions	Tube Diameter : 3 to 13,5 mm Tube Length (L) : 100 to 2000 mm
Matériau	Tube : 304L, 316L Head : Aluminium or Polypropylène
Connection	Terminal block Transmitter
Mechanical interface	Flange Fitting