

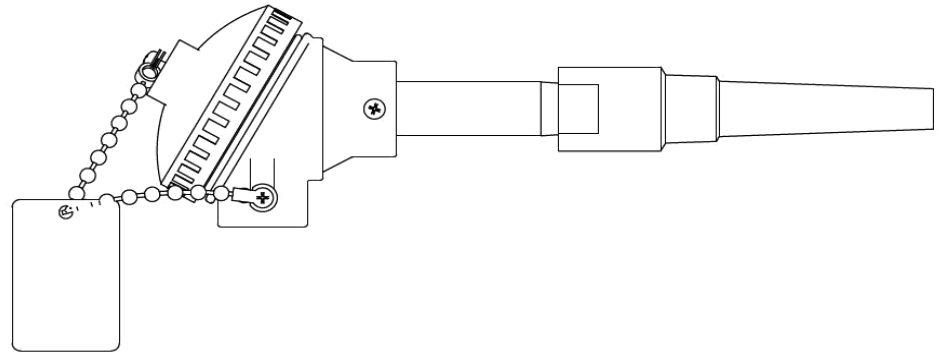


Head type RTD sensor With intrinsic safety



CSI type

Technic view



Temperature range	-193°C to +500°C
Sensing element	PT100 / PT500 / PT1000 (simple or double)
Accuracy	Class A, B, 1/3DIN, 1/5DIN, 1/10DIN
Standard	EN 60751
Dimensions	Tube Diameter : 3 to 15 mm Tube Length (L) : 100 to 10000 mm
Matériau	Tube : 304L, 316L Head : Aluminium or Polypropylène
Connection	Terminal block Transmitter
Mechanical interface	Flange Fitting
Application / Features	ATEX / Hydrogen atmosphere