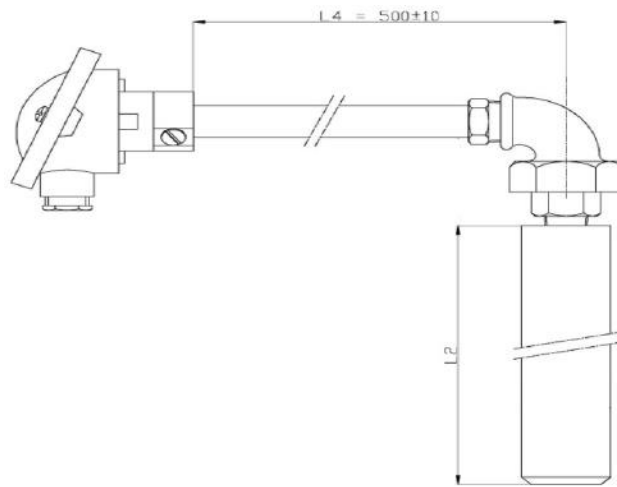




Head type immersion thermocouple for high temperature

CTAL type

Technic view



Température range	0°C to +1000°C
Sensing element	K-type or J-type thermocouple
Accuracy	Class 1 or AMS
Standard	EN 60584
Dimensions	<p>Tube Diameter : 21 mm</p> <p>Protector diameter : 22 mm to 65 mm</p> <p>Protector Length (L2) : 255 mm to 1520 mm</p> <p>Arm Length (L4) : 500 mm by default. Other lengths on demand</p>
Matériau	<p>Head : aluminium</p> <p>Arm : 304L, 316L, ADX</p> <p>Protector : Enameled cast iron, Cryston, Sialon</p>
Extension	Wire + connector
Connection	<p>Connector</p> <p>Terminal block</p>
Mechanical interface	Bride